



NLB Connector™

For Non-Load Bearing Walls



Learn about the
NLB Connector

The FastenMaster NLB Connector is the fastest, safest, and easiest way to secure non-load bearing walls to roof trusses and joists above.



10X Faster
Installs faster than
STC / DTC clips



No Ladders
Install while standing
safely on the subfloor



No Pre-Drilling
1-step installation
is fast and easy



Allowing for vertical deflection of trusses and joists above non-load bearing walls reduces drywall cracks and call backs.



NLB Connector™

For Non-Load Bearing Walls



NLB Connector™

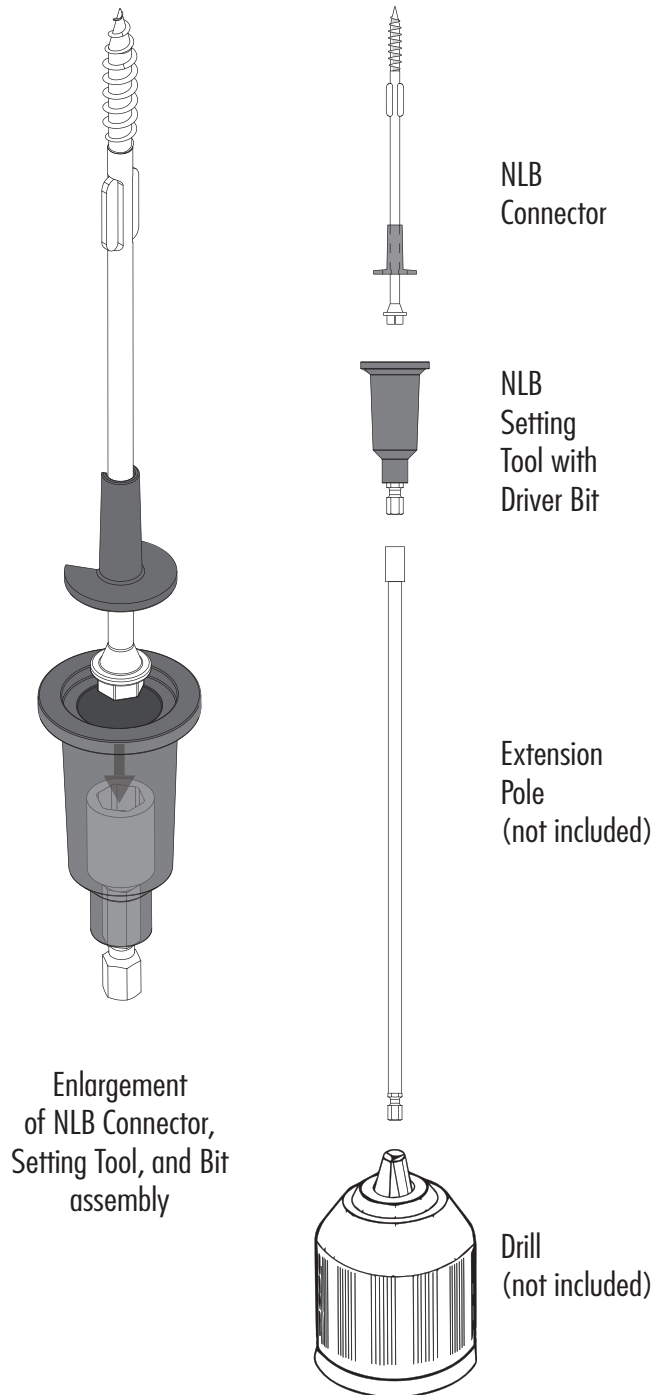
For Non-Load Bearing Walls

GENERAL GUIDELINE

- For use in wood to wood connections only.
- A minimum of 2 NLB connections should be used on any wall regardless of length.
- Connections should be made within 24" of either end of non-load bearing walls unless connected to perpendicular load bearing walls. In these cases, a maximum end distance of 48" should be used.
- NLB Setting Tool required for proper installation.
- Although the vertical movement between the truss and framing is typically less than 1/4", consideration must be given to allow for this variance in semi-rigid surfaces or drywall. The most common methods for achieving this fall under three categories:
 - 1) The use of resilient channels or hat channels mounted perpendicular to the trusses. Guidelines for the use of this flexible metal furring can be found in bulletin GA-227-13 on the American Gypsum Association website www.americangypsum.com
 - 2) Installation of clips at the top of the walls in conjunction holding back of drywall fastening from the ceiling to wall joint. Some of the most commonly used clips can be found here:
 - a. Prest-on Corner-back Clips: www.prest-on.com/products/corner-back
 - b. Simpson Strong-Tie DS Clip: www.strong-tie.com
 - c. Mitek DC-1 Clip: www.mitek-us.com
 - 3) Details where cove or crown molding is mounted to the ceiling but unaffixed to the wall
 - 4) Reference TER# 1907-08 at drjcertification.org

FM25004 (0124)

NLB SYSTEM



SKU	DESCRIPTION
FMNLB006-50	(50) Preassembled screws with sleeves (1) Setting Tool and (1) Driver Bit



FastenMaster.com 800-518-3569